



SMART Board® GX (V4) Plus series

Made in India



Display	
Screen sizes (diagonal)	65" 75"
Backlight	LED
Aspect ratio	16:9
Maximum display resolution	4K UHD (3840 × 2160)
Refresh rate	60 Hz
Lifespan	≥ 50,000 hours
Brightness¹	400 cd/m ²
Display response time	≤ 8 ms
Viewing angle	178°
Glass	Full heat-tempered Anti-glare Bonded
Frame color	White
Convenience buttons	Power Home Volume Freeze frame
Sensors	Ambient light Infrared
Audio	2 integrated 20W speakers with high fidelity audio

Interactive experience	
Touch technology	Advanced infrared
Touch features	Simultaneous tool differentiation Object Awareness™ Silktouch™
Typical touch response time	≤ 5 ms
Frame rate	≥ 200 Hz
Accuracy	1 mm
Minimum object size	2 mm
Multitouch capabilities	Up to 50 touch points (OS dependent)
Tools included	Pens (x2)
Tool holders	Magnetic Frame-mounted

Software	
Included	Embedded Android OS SMART Mirror SMART Notebook® SMART Product Drivers and SMART Ink®
Optional	SMART Notebook Plus Lumio™ SMART Meeting Pro® SMART TeamWorks™ SMART Remote Management

¹Brightness of individual displays can vary.

Embedded Android OS	
Operating system	Android version 14.0 (forward compatible)
CPU	Octa-core
Memory	8 GB DDR4
OS architecture	64-bit
Storage	64 GB (up to 576 GB)
User interface	4K UHD (3840 × 2160)
Digital whiteboard	✓
Web browser	✓
Screen sharing	✓
Google Play™ Protect Certified²	✓
Google Play Store	✓
Other features	Input select File manager Overlay Split screen Picture-in-picture (PIP) with touch pass-through Interactive widgets App library
Ability to run third-party applications	✓
Cloud storage access	✓
Languages supported	Albanian Arabic Bengali Bulgarian Chinese (simplified) Chinese (traditional) Croatian Czech Danish Dutch English Estonian Finnish French German Greek Gujarati Hindi Hungarian Indonesian Italian Kannada Kazakh Latvian Lithuanian Marathi Norwegian Polish Portuguese Punjabi Romanian Russian Serbian Slovenian Spanish Swedish Tamil Telugu Thai Turkish Ukrainian Vietnamese
Updates	Over-the-air (OTA)

²Pending final testing

OPS computing	
SMART OPS modules³	SMART PCM modules
OPS power	90 W
More information	See > smarttech.com/accessories

Inputs	Front	Back
OPS PC accessory slot	–	1
microSD slot	–	1
HDMI® 2.1 4K@ 60Hz with HDCP 1.4, HDCP 2.2/2.3, and ARC support ⁴	1	2
Display Port 1.4a with HDCP 1.4 and HDCP 2.2/2.3 support	–	1
VGA video	–	1
Stereo 3.5 mm	–	1
RS-232 (DB-9 connector)	–	1
RJ45 (LAN In)	–	1
USB Type-C 4K @ 60Hz Display Port alternate mode, touch, digital audio, USB 3.2 Gen 1 (DFP) for peripherals; up to 65 W power delivery	1	–
USB Type-C 4K @ 60Hz Display Port alternate mode, touch, digital audio, USB 3.2 Gen 1 (DFP) for peripherals; up to 15 W power delivery	–	1
USB 3.2 Gen 1 Type-A	2	3
USB 3.0 Type-B	1	1

Outputs	Front	Back
HDMI 2.1 4K @ 60Hz with HDCP 1.4 and 2.3 support	–	1
Stereo 3.5 mm (variable)	–	1
S/PDIF optical (fixed)	–	1
RJ45 (LAN Out)	–	1

³The support and performance of third-party OPS (Open Pluggable Specification) and OPS-C modules may vary. Conduct proper compatibility testing to avoid potential issues.

⁴ARC support is available only with the HDMI 1 input.

Included cables and accessories	Qty
Country-specific power cable	1
16' 5" (5 m) USB 2.0 A to B cable	1
6' (1.8 m) USB 3.2 Gen 1 Type-C cable, 5A	1
Pens	2
External dual-band Wi-Fi (2.4 and 5 GHz) and Bluetooth® (2.4 GHz) antennas	2
Remote control	1
AAA batteries	2
Illustrated installation instructions	1
Important information document	1

Connectivity

Wired	RJ45 (×2) 1000BASE-T
Wi-Fi	IEEE 802.11ax (Wi-Fi 6) supporting WEP, WPA, WPA2, WPA3 and PSK authentication protocols Wi-Fi access point
Bluetooth	5.2

Storage and operating requirements

Power requirements	100V to 240V AC, 50 Hz to 60 Hz
Operating temperature	32–104°F (0–40°C)
Storage temperature	14–140°F (-10–60°C)
Humidity	20–80% relative humidity, non-condensing

Power consumption

Typical	65": 81 W 75": 90 W
Standby	0.2 W

Certification and compliance⁵

Regulatory models	IDGX65-4 IDGX75-4
India	BIS WPC
Performance standards	ENERGY STAR® HDMI HDCP

⁵Product availability may vary by region.
This product has received additional certifications not listed here.

Purchasing information⁶

Order numbers

GX165G-V4-IN-3A	SMART Board GX065-V4 Plus interactive display with embedded OS (GMS), India, 3Y Assure
GX175G-V4-IN-3A	SMART Board GX075-V4 Plus interactive display with embedded OS (GMS), India, 3Y Assure

Optional accessories

See > smarttech.com/accessories

SMART Warranty

Terms and conditions and warranty upgrade options vary by region. Visit smarttech.com/warranty or contact your reseller for information.

Cable requirements

See > *SMART cables and connectors guide*
(docs.smarttech.com/kb/171926)



⁶Order numbers may vary by region.

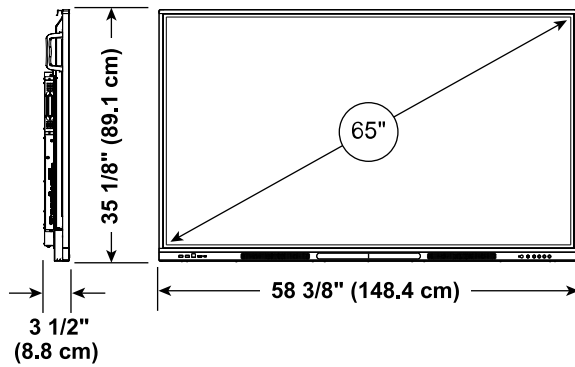
Installation, dimensions, and weights

Notes

- All dimensions $\pm 1/8"$ (0.3 cm). All weights ± 2 lb. (0.9 kg).
- Product ships upright.
- Leave space around the display to ensure adequate ventilation.

65" models

Dimensions



Weight

79 lb. (36 kg)

Shipping dimensions

63" \times 40 1/2" \times 5 3/4"
(160 cm \times 103 cm \times 14.5 cm)

Shipping weight

101 lb. (45.8 kg)

VESA mount

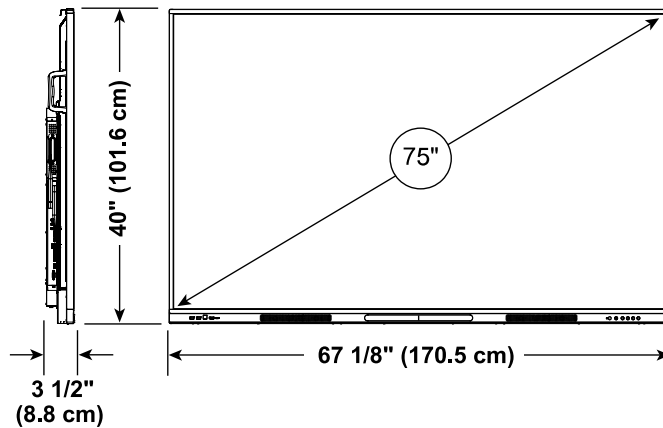
M8 | 600 \times 400 mm

Handles

2

75" models

Dimensions



Weight

115 lb. (52 kg)

Shipping dimensions

70 7/8" \times 45" \times 5 3/4"
(180 cm \times 114.5 cm \times 14.5 cm)

Shipping weight

128 lb. (58.1 kg)

VESA mount

M8 | 800 \times 400 mm

Handles

4

smarttech.com
smarttech.com/contact

© 2025 SMART Technologies ULC. All rights reserved. SMART Board, SMART Ink, Object Awareness, Silktouch, smarttech, the SMART logo and all SMART taglines are trademarks or registered trademarks of SMART Technologies ULC in the US and/or other countries. The Adopted Trademarks HDMI, HDMI High-Definition Multimedia Interface, and the HDMI Logo are trademarks or registered trademarks of HDMI Licensing Administrator, Inc. in the United States and other countries. Android and Chrome OS are trademarks of Google Inc. All other third-party product and company names may be trademarks of their respective owners. This product and/or use thereof is covered by one or more of the following US patents: www.smarttech.com/patents. Contents are subject to change without notice. May 25, 2025.